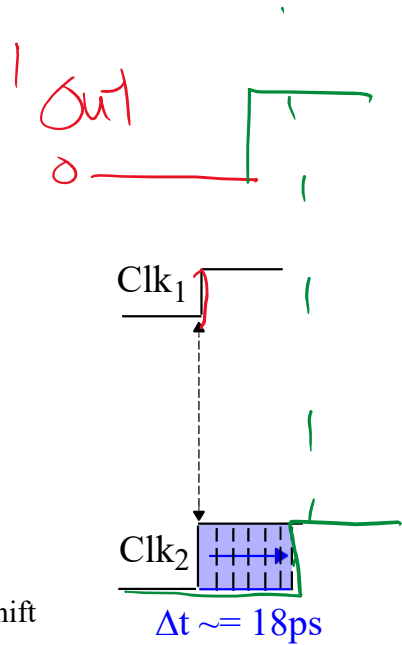
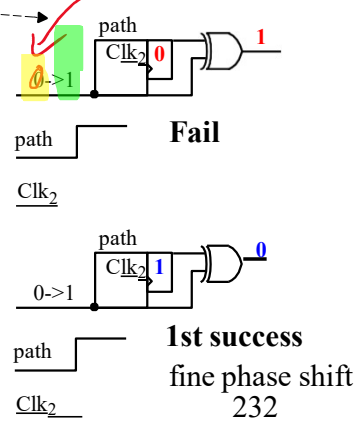
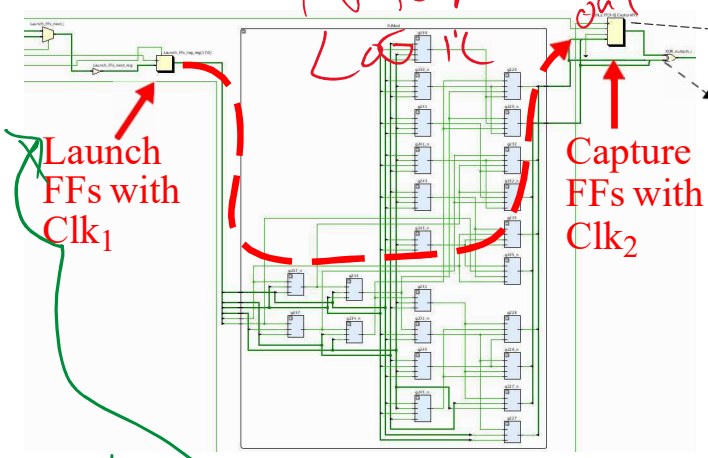


1st vector produces zero output

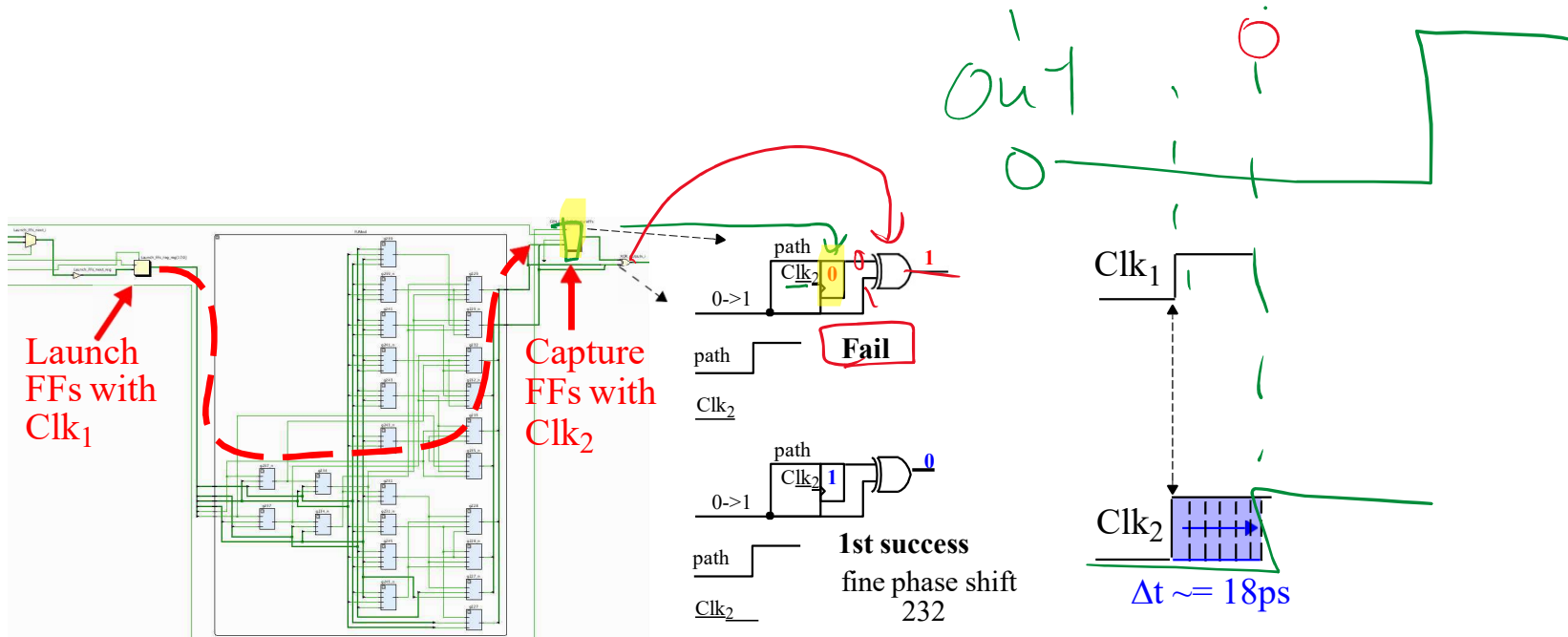


$6 \times 18ps = 108ps$

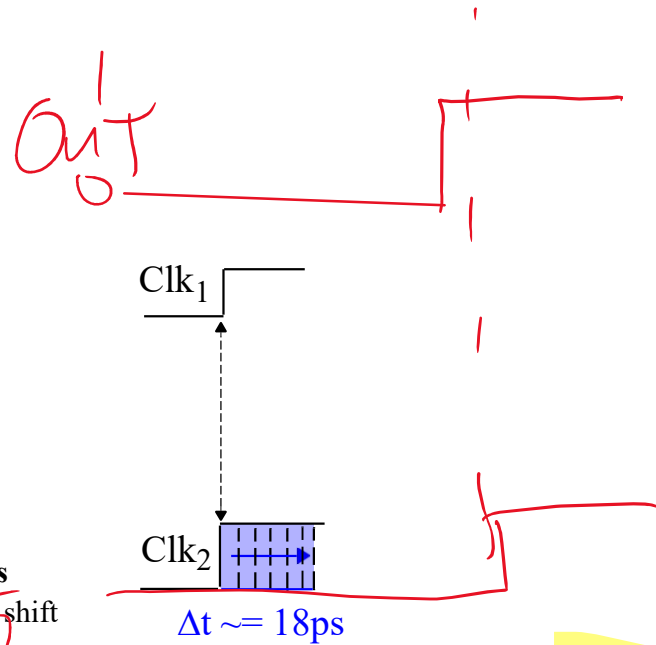
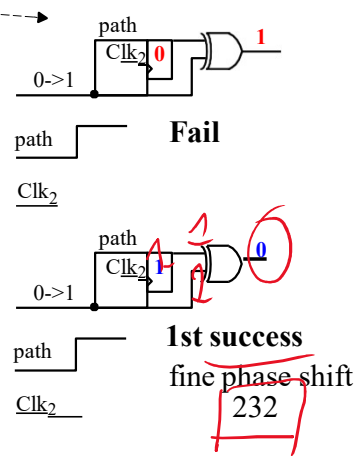
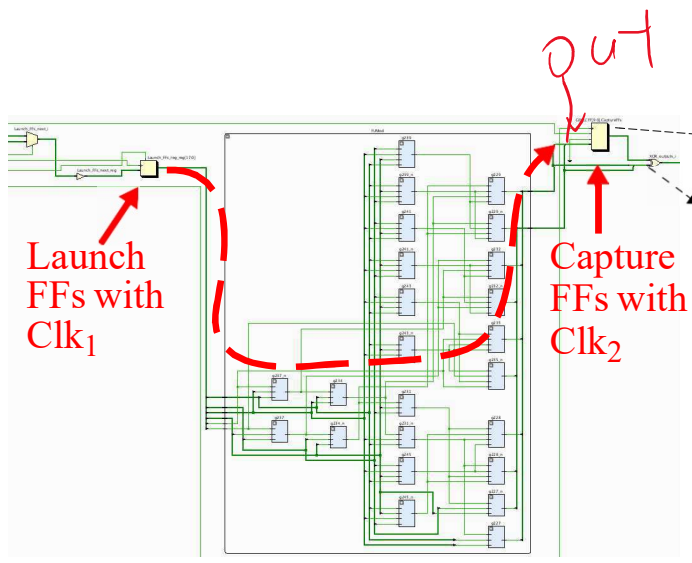
2nd vector sets out to 1

not cover test

ATPG



Suppose all transitions occur w/in 100ms
10MHz



$232 \times 18 \text{ ps} \approx 4.3 \text{ ns}$

after 100ms