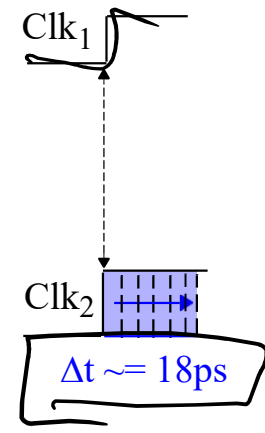
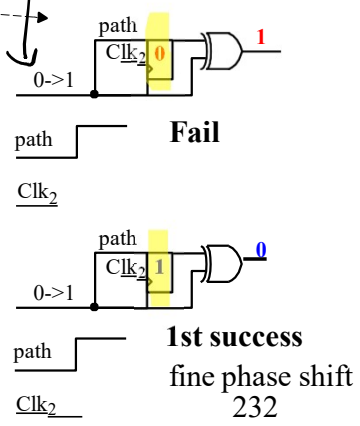
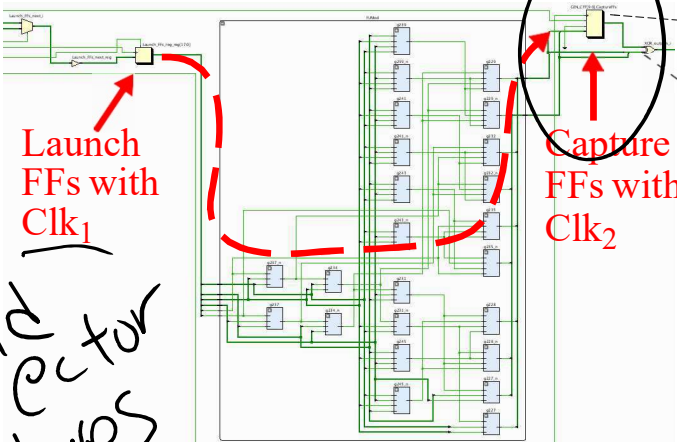
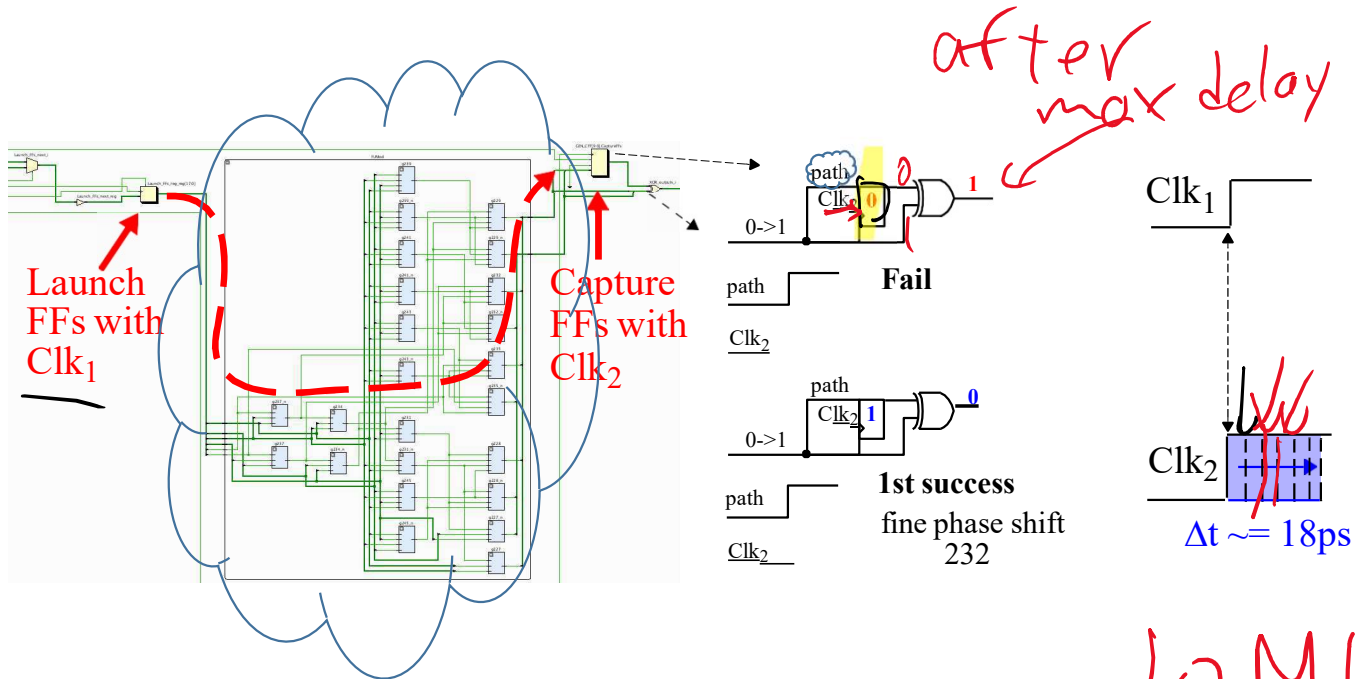


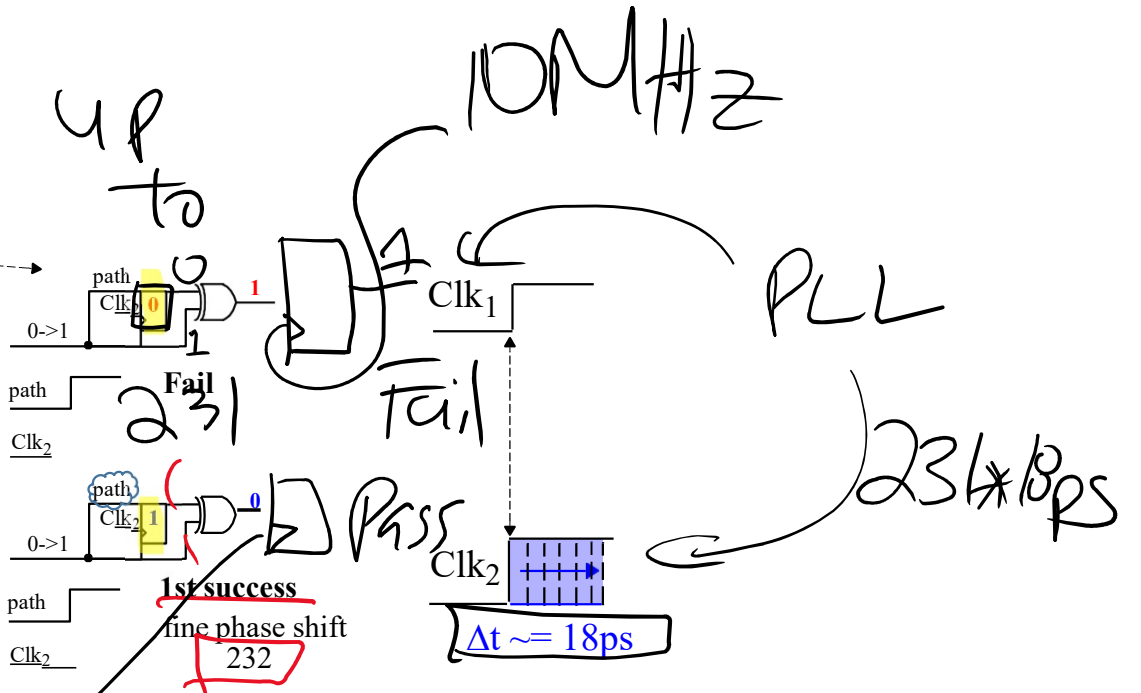
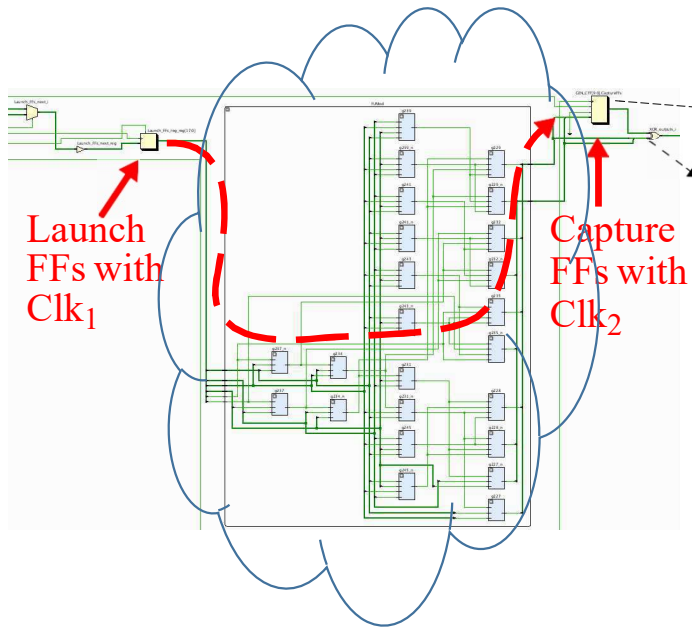
1st vector produces zero output

2nd vector produces 1





say 10MHz
100ms



0 → 1 PNR
 10MHz
 $232 * 18ps = 4.3 ns$
 232